

PRODUCT DATA SHEET

EMPTY CONTROL BOXES



DESCRIPTION

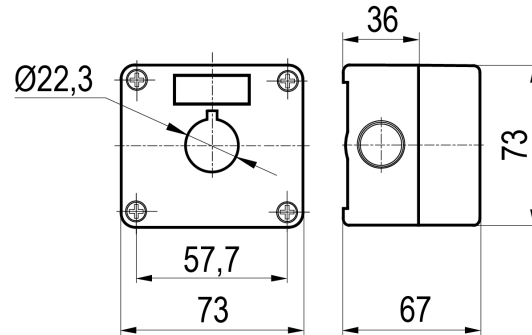
Ergonomic use and high impact resistance.
High protection class body and maximum resistance to environmental conditions.
Ease of direction determination thanks to arrow labels.
Ease of assembly.

FEATURES

- Suitable for $\varnothing 22$ mm buttons
- Strong resistance against mechanical strokes
- IP65 with suitable buttons

PRODUCT DATA SHEET

EMPTY CONTROL BOXES



SECTIONS AND DIMENSIONS

PRODUCT CODE	DESCRIPTION	COLOUR
GBK - 1	1 Hole Empty Control Box	Yellow-Black